



THONG YONG GROUP

P.O. Box 48709, Al Quoz Industrial Area 4, Dubai, U.A.E.

Tel #: +971 4 3417556 / Fax #: +971 4 3415899

Email : enquiry@tym-group.com / marine.admin@tym-group.com

THONG YONG

HOSHI

32M Twin Screw Tug

PRINCIPAL PARTICULARS

OPERATING AREAS	: Sea Areas 1 + 2 + 3
TYPE OF SHIP	: Ocean Going Twin Screw Tug
FLAG	: Singapore
OFFICIAL NUMBER	: 394413
CALL SIGN	: 9V7537
IMO NUMBER	: 9522984
CLASSIFICATION	: ABS (American Bureau of Shipping)
YEAR BUILT	: 2009
PLACE BUILT	: Wuhu Dajiang Shipbuilding, China
LENGTH OVERALL	: 32.00 m
REGISTERED LENGTH	: 30.14 m
BREADTH	: 9.20 m
DEPTH	: 4.60 m
DRAFT MAX. DESIGN	: 3.80 m
GRT / NRT	: 296 / 88

STERN TUBES & SHAFTING

- * Oil Lubrication Stern Tubes
- * 2 x Length Stainless Steel (AISI 316) Tail Shaft

STEERING GEAR SYSTEMS

- *Two (2) JAMSTRAM Type Twin S2-15-1-35
- Torque 1.5TM per rudder / Rudder Angle: 35 / 35 degree
- Steering Mode: Power, Elec., Twin Independent 3.0hp

TOWING

- | | |
|------------------------|--|
| ANCHOR WINDLASS | : 1 x ME2.1THWL 3-T ELEC. HYD c/w
Two warping drums. Windlass winding speed min. 12m/min |
| BOW ANCHOR | : 2 x Stockless each 480kgs |
| CHAIN CABLE | : 302.5m total length, 22mm dia, Grade 2 |
| TOWING HOOK | : 50T SWL; remote quick release control |
| TOWING WINCH | : 1 x ME40THTW Electro Hydraulic
Double warping ends + remote control /
Static Brake Hold: 100MT 700mx44mm
Galvd. Steel Wire Rope / 1x60kW (2x30kW)
Eletro-Hyd. P.Pack |

SOUND SIGNAL APPLIANCES & NAVIGATION EQUIPMENT

- | | |
|------------------------------|------------------------------|
| VHF RADIOTELEPHONE | : ICOM IC-M504 |
| SSB TRANSCEIVER | : ICOM M710 / ATU130 |
| 24N MARINE RADAR | : FURUNO 1832 |
| GPS NAVIGATOR | : FURUNO GP 150 |
| ECHO SOUNDER | : FUSO FEC 609 |
| NAVTEX RECEIVER | : MC MURDO NAV-7 |
| WEATHER FAX | : FURUNO FX 408 |
| MAGNETIC COMPASS | : SAURA KEIKI MR-150A |
| EPIRB | : MC MURDO SMART FIND E5 |
| PUBLIC ADD./TALK BACK | : HANSHIN HPA-7306 |
| MINI C / GPS TRACKING | : KVH eTRAC |
| MARITIME MINI-M | : KVH TRACPHONE 252 |
| INTERCOM SYSTEM | : 6 STATIONS GALAXY PHONE |
| WIND ANEMOMETER | : RM YOUNG 05103-58 / 06206H |
| AUTO PILOT | : FURUNO NAV PILOT 500 |
| AIS | : FURUNO MODEL FA-150 |



PROPULSION SYSTEM

MAIN ENGINES	: CATERPILLAR - CAT3512B 2 x 1,600 HP @ 1,600 rpm (2 x 1193kW)
GEAR BOX	: 2 x REINTJES WAF 665 / Ratio 5.571:1
GENERATOR	: 2 x CUMMINS 6CT8.3-D (M)
ALTERNATOR	: UCM274E STAMFORD 99kW/123.75kVA
FUEL OIL PURIFIER	: KYDR203CD-23 / 2.2kW 380V/50Hz
OILY WATER SEPARATOF	: USH-05 / 0.5m ³ /h
PROPELLERS	: 2 x SOLID 4 BLADES MANGANESE BRONZE <i>Completed with MILD S KORT NOZZLE</i>

PERFORMANCE

MAXIMUM SPEED	: 11 knots
ECONOMICAL SPEED	: 9 knots
BOLLARD PULL	: 40 metric tons

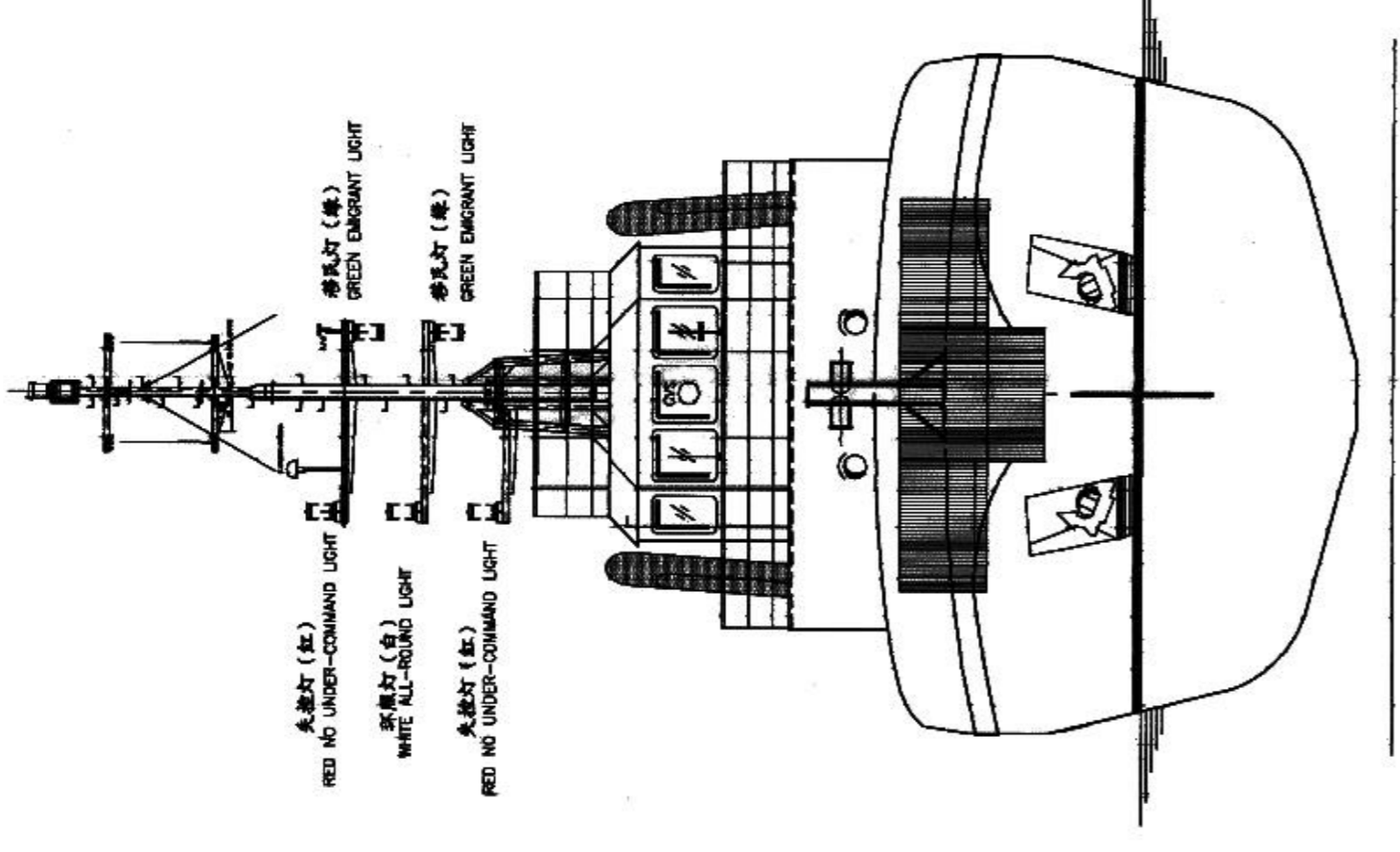
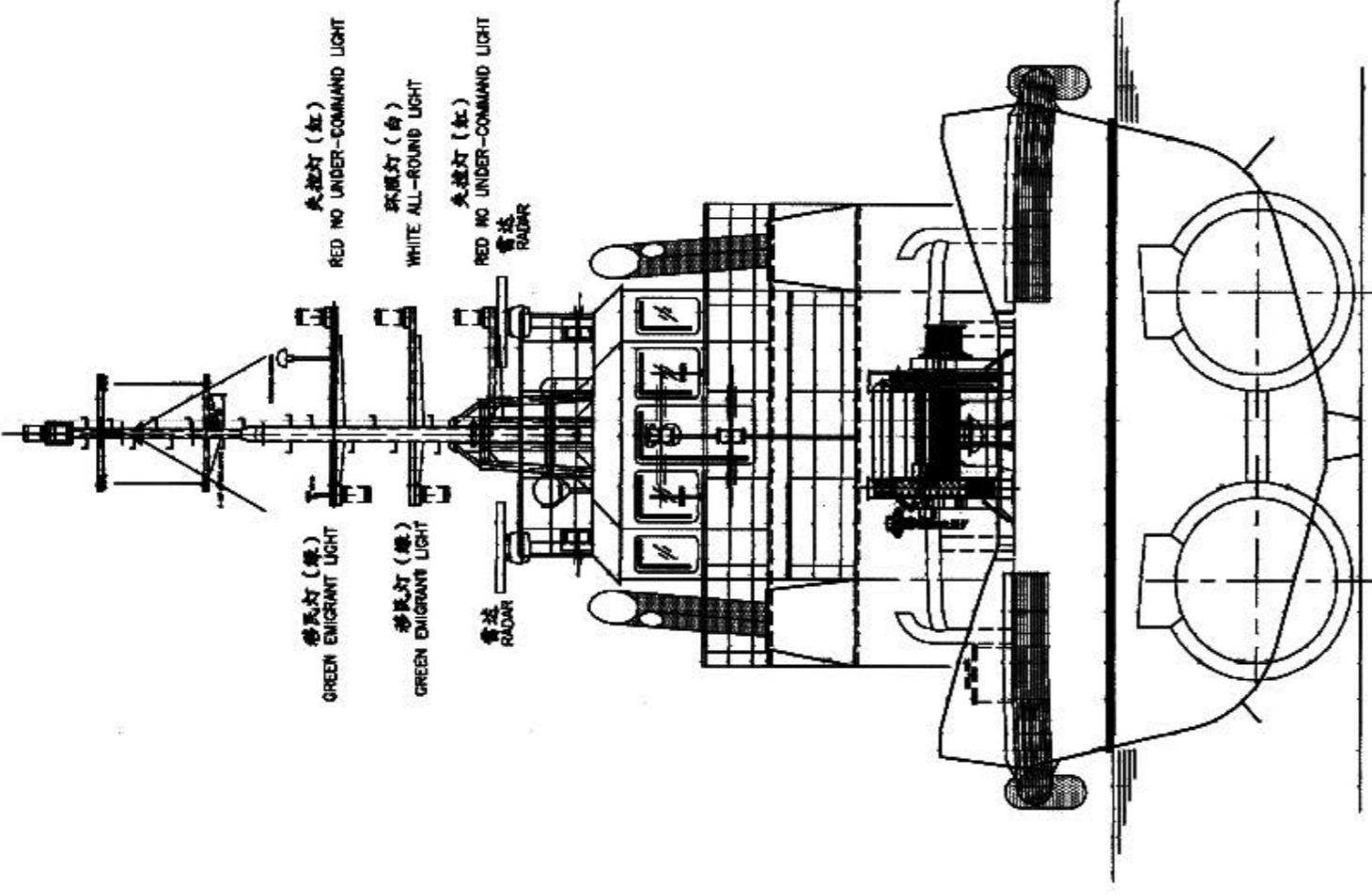
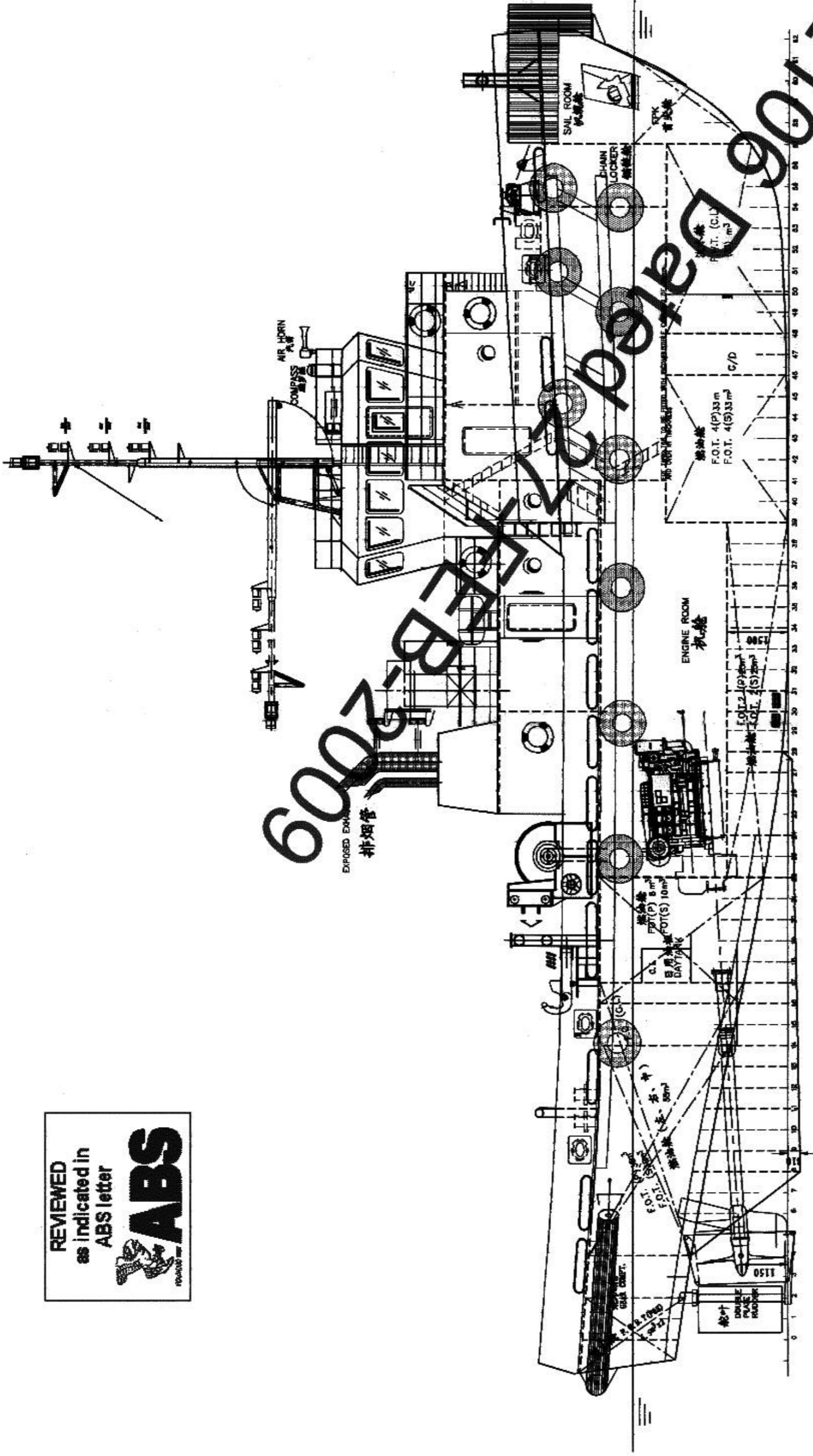
CARGO CAPACITIES

FUEL OIL	: Approx. 250.00 m ³
FRESH WATER	: Approx. 40.00 m ³
DIRTY TANK	: Approx. 3.80 m ³
ACCOMMODATION	: 12 Persons

FIRE FIGHTING / LIFE SAVING APPLIANCES

- | | |
|---------------------------|--|
| LIFERAFT | : 2 x HNF-A15(96) for 15 Pax |
| LIFE BOUY | : SDF5556 (96) x 8 pieces |
| LIFE JACKET | : XY5564-1 x 17 pieces |
| FIREMAN'S OUTFIT | : DFXF-93-A x 1 set with accessories |
| BREATHING APP. | : RHZK-6/30-II x 1 set |
| FIRE EXTINGUISHER | : 9 x 9kg ABC Dry Powder
1 x 45litre Trolley Foam |
| PORTABLE FIRE PUMP | : CF170F / 4.5HP, 3600rpm |

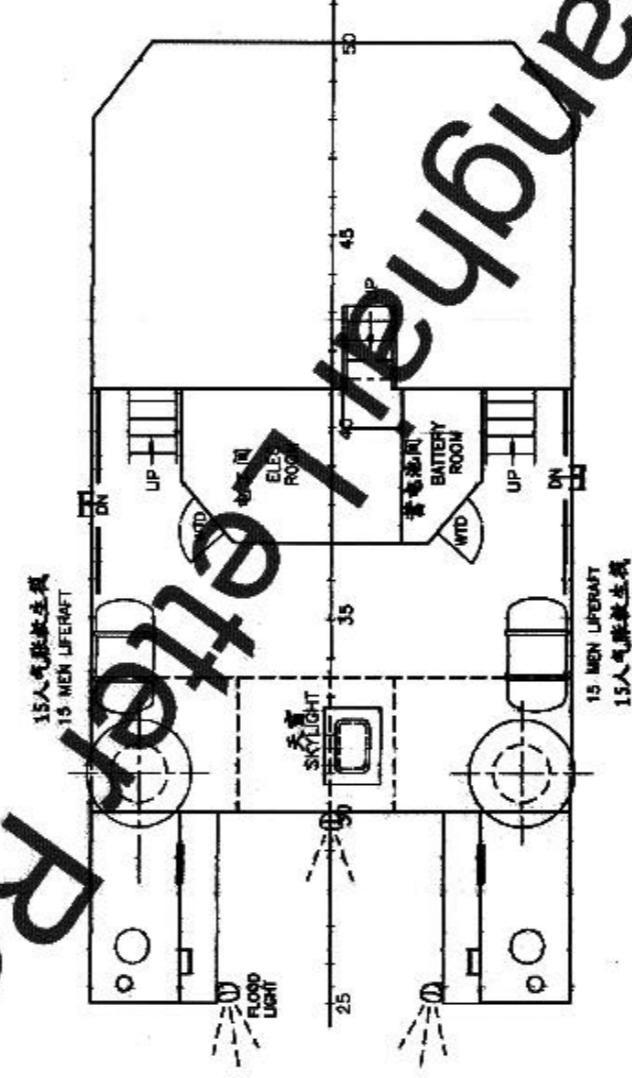
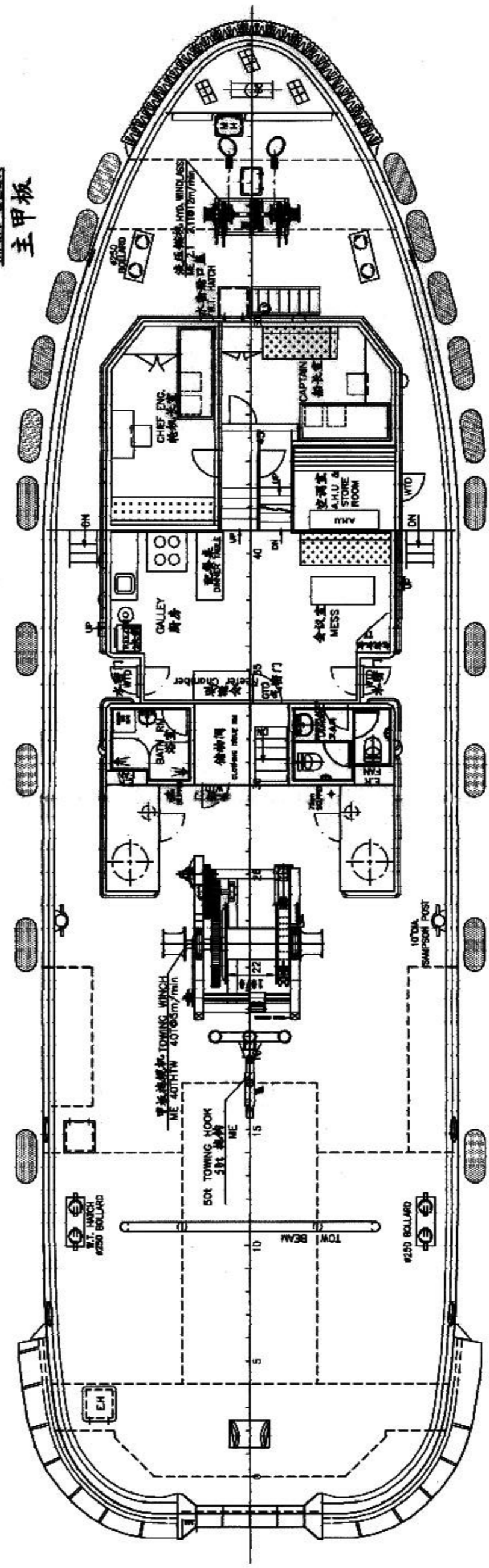
Particulars given are entirely without warranty as to correctness and interested parties must satisfy themselves by inspection of ship's certificate or by other means of vessel specifications.



尾視
STERN VIEW

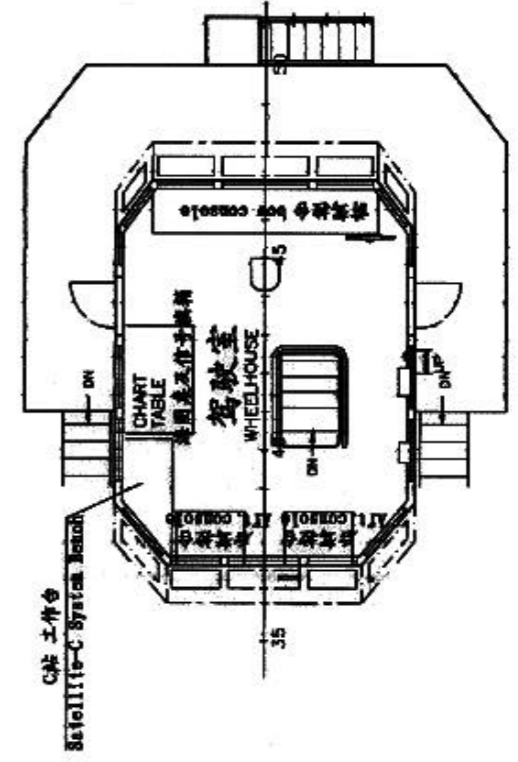
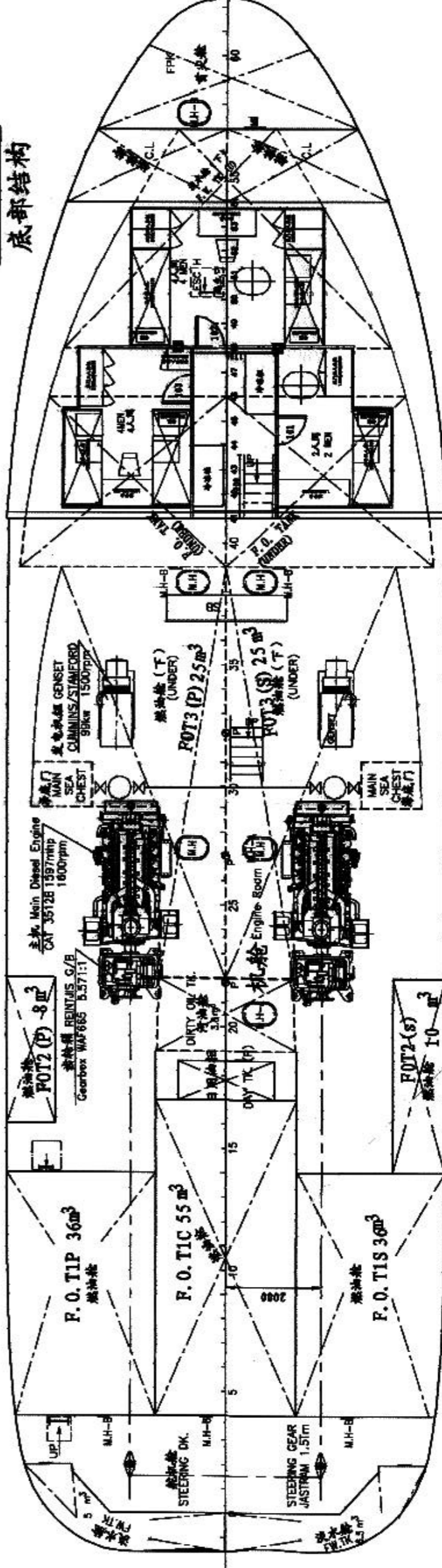
箱視
FRONT VIEW

主甲板
MAIN DECK



桥楼甲板
AET DECKHOUSE TOP

底新结构
BOTTOM PLAN



导航甲板
NAVIGATION DECK

PRINCIPAL PARTICULARS
主要参数

LENGTH O.A. 总长	32m
LENGTH W.L. 设计水线长	31.14m
BEAM MLD. 型宽	9.20m
DEPTH MLD. AMIDSHIP 型深	4.60m
DRAFT DESIGNED 吃水	3.80m
GROSS TONNAGE 总吨	NOT MORE 300GT
MAIN ENGINE 主机	CATERPILLAR 3512B
GENNERY SETS 发电机组	CUMMINS/STAMFORD
	99KW/1500rpmX2
SPEED 航速	12.0KN
BOLLARD PULL 拖力	40T
COMPLEMENT 定员	12 MEN
P.O. 燃油	250m ³
F.W. 淡水	40m ³

ABS Maltese Cross Class AS ABS:

ABS Maltese Cross Class AMS Circle B towing service for unrestricted service

DATE	MODIFICATION	REV	BY
SHIP: 32M Ocean Tug 3200HP			
TITLE: 总布置图 GENERAL ARRANGEMENT PLAN			
OWNER	Sea Win Marine Pte Ltd		
BUILDER	Yantai HAVEN MATHE ENGINEERING & TECHNOLOGY CO., LTD.		
WORKING NO.	YTHW620-100-001A		
CLASS	ABS		
烟台海文船舶工程技术有限公司 YANTAI HAVEN MATHE ENGINEERING & TECHNOLOGY CO., LTD. Tel: 86-0535-392250 Fax: 86-0535-392513 E-mail: ythw@163.net			
DRAWN	CHECKED	EXAMINED	SCALE
唐云红	宋晓平		YTHW620-100-001A
INSPECTED	APPROVED		
李建章			
1: 100			SHEET 1/1